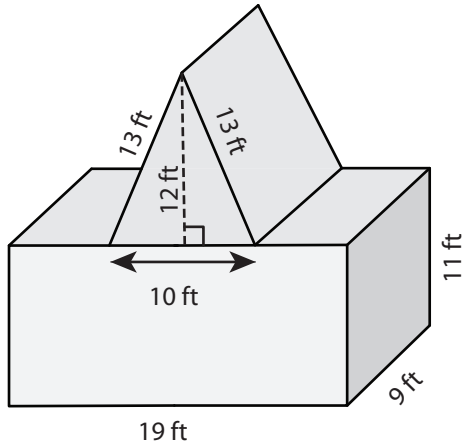


Name : \_\_\_\_\_

## Surface Area of Composite Figures

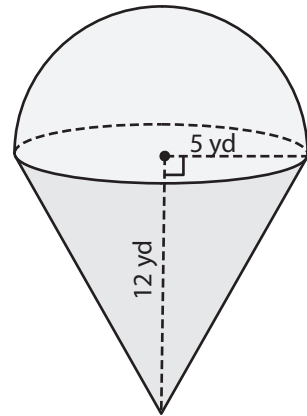
Find the surface area of each figure. Round your answer to two decimal places.  
(use  $\pi = 3.14$ )

1)



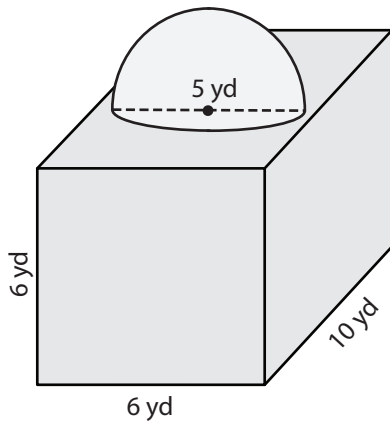
Surface Area = \_\_\_\_\_

2)



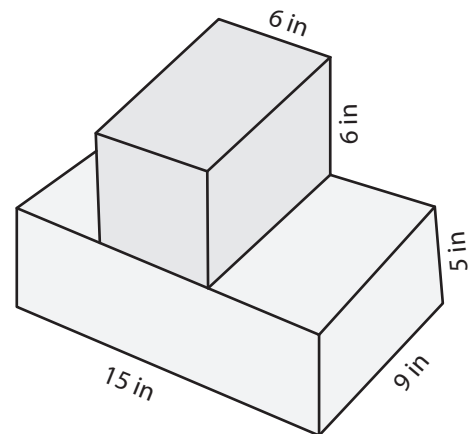
Surface Area = \_\_\_\_\_

3)



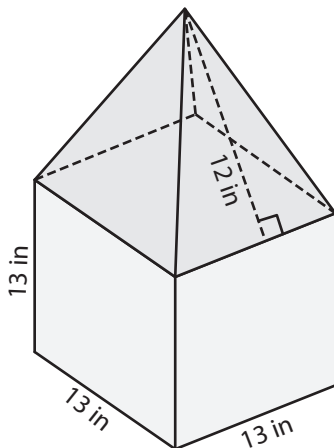
Surface Area = \_\_\_\_\_

4)



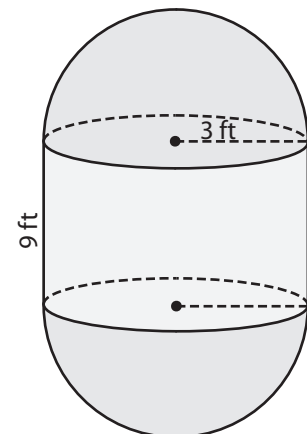
Surface Area = \_\_\_\_\_

5)



Surface Area = \_\_\_\_\_

6)



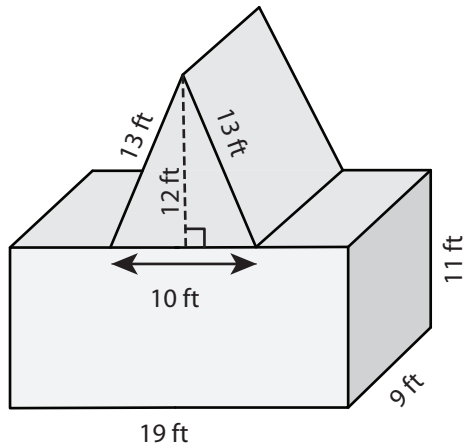
Surface Area = \_\_\_\_\_

Name : \_\_\_\_\_

## Surface Area of Composite Figures

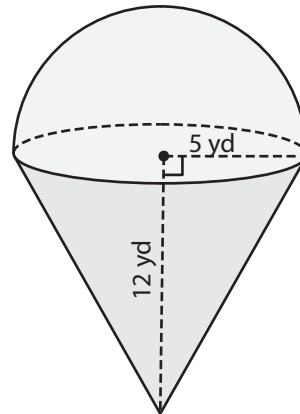
Find the surface area of each figure. Round your answer to two decimal places.  
(use  $\pi = 3.14$ )

1)



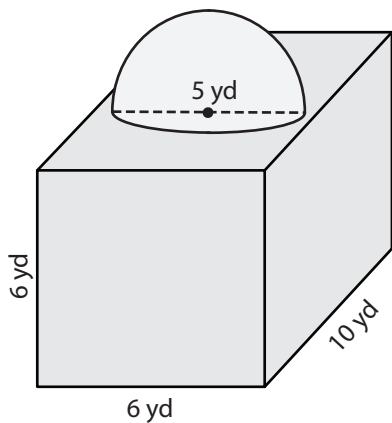
Surface Area = 1,222 ft<sup>2</sup>

2)



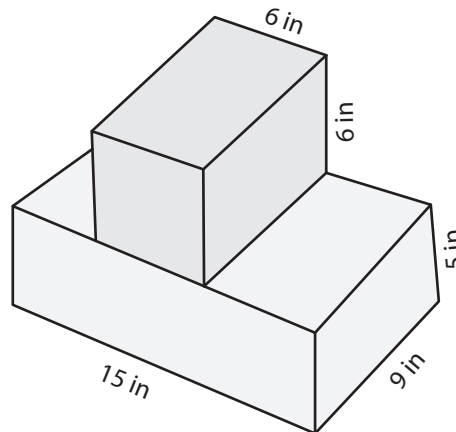
Surface Area = 361.1 yd<sup>2</sup>

3)



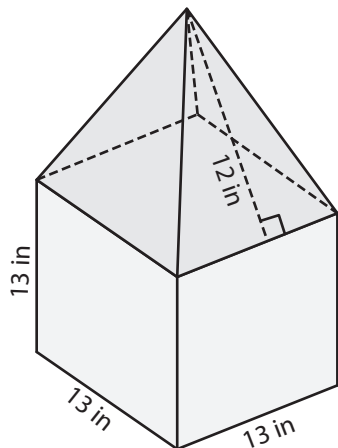
Surface Area = 331.63 yd<sup>2</sup>

4)



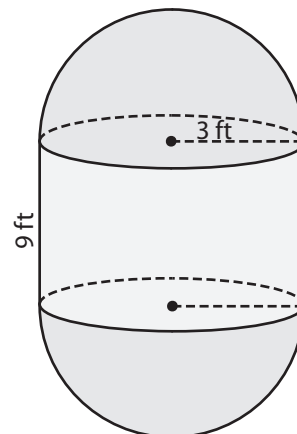
Surface Area = 690 in<sup>2</sup>

5)



Surface Area = 1,157 in<sup>2</sup>

6)



Surface Area = 282.6 ft<sup>2</sup>